



Die-Cut Insulators

Die-Cut Insulator Type & Part No.

2 LEAD, TO-3	DC0001
3 LEAD, TO-3	DC0002
4 LEAD, TO-3	DC0003
8 LEAD, TO-3	DC0004
10 LEAD, TO-3	DC0005
TO-66	DC0006
3 LEAD, TO-66	DC0007
4 LEAD, TO-66	DC0008
9 LEAD, TO-66	DC0009
MULTI LEAD, TO-66	DC0010
TO-220	DC0011
TO-220	DC0012
TYPE II, TO-220	DC0013
DIODE WASHERS DO-4	DC0014
DIODE WASHERS DO-5	DC0015
TO-36	DC0016
TO-5 and TO-18 3 Holes	DC0017
TO-5 and TO-18 4 Holes	DC0018
RECTIFIER	DC0019
TIP PACKAGE	DC0020
POWER MODULE	DC0021
POWER MODULE	DC0022
POWER MODULE	DC0023
TO3 6 HOLE	DC0024
SIP PACKAGE	DC0025
Arcol HS10	DC0026
Arcol HS15	DC0027
Arcol HS25	DC0028
Arcol HS50	DC0029
Arcol HS75	DC0030
Arcol HS100	DC0031
Arcol HS150	DC0032
Arcol HS200	DC0033
Arcol HS250	DC0034
Arcol HS300	DC0035

Part numbers for ordering T-Global Die-Cut Insulators



T-Global Part Number: [DC][####]/[##]-[XXX]-[T]-[#A]-[P]

[DC][####]/	[##]	[XXX]	[T]	[#A]	[P]
Die-Cut type Example: DC0001,DC0002	Dimension option Example: 01, 02	t-Global thermal interface material Example: Li98, L37-3F, H48-6S etc	Thickness (mm)	Adhesive 1A – one side 2A – two sides	Pull tab

Example: **DC0014/05 - H48-2K - 0.1(mm)**

Die-Cut Insulator type	Dimensions (mm)							Ordering part number
	A	B	C	D	E	F	G	
2 LEAD, T0-3 <p>2 Holes - Dia. D</p> <p>2 Holes - Dia. C</p>	39.7	26.67	3.56	2.03				DC0001/01 - XXX - T
	39.7	26.67	3.56	3.56				DC0001/02 - XXX - T
	40.46	27.94	3.96	1.78				DC0001/03 - XXX - T
	41.91	27.05	3.56	1.17				DC0001/04 - XXX - T
	41.91	28.96	3.1	1.57				DC0001/05 - XXX - T
	41.91	28.96	3.56	2.36				DC0001/06 - XXX - T
	41.91	28.96	4.19	1.57				DC0001/07 - XXX - T
	41.91	28.96	3.56	1.17				DC0001/08 - XXX - T
	41.91	28.96	4.19					DC0001/09 - XXX - T
	43.18	30.15	3.96	1.57				DC0001/10 - XXX - T
	43.94	31.75	3.96	1.57				DC0001/11 - XXX - T
	45.21	31.75	3.56	2.36				DC0001/12 - XXX - T
	45.21	31.75	4.19	2.39				DC0001/13 - XXX - T
	45.21	31.75	3.56	1.17				DC0001/14 - XXX - T
	52.58	39.62	3.1	1.57				DC0001/15 - XXX - T
	41.28	27.76	4.06	2.36				DC0001/16 - XXX - T
	36.58	25.4	3.56	1.9	24.38	5.08	2.54	DC0001/17 - XXX - T
	33.32	19.35	3.56	1.57	24.38	5.08	2.54	DC0001/18 - XXX - T
	40.46	27.94	3.96	1.57	30.15	10.92	1.83	DC0001/19 - XXX - T
	31.75	17.78	3.56	1.57	24.38	5.08	2.54	DC0001/20 - XXX - T
	34.92	20.96	3.56	1.57	24.38	5.08	2.54	DC0001/21 - XXX - T
	45.21	31.7	4.19	1.6	30.1	10.9	1.85	DC0001/22 - XXX - T
	39.7	26.7	4.19	2.01	30.1	10.9	1.85	DC0001/23 - XXX - T
	33.2	20.8	4.19	1.6	23.09	5.99	1.55	DC0001/24 - XXX - T
	42.01	27	3.51	1.5	30	11	1.8	DC0001/25 - XXX - T
	41.91	29.01	4.19	3.61	30.15	10.9	1.83	DC0001/26 - XXX - T

Part numbers for ordering T-Global Die-Cut Insulators



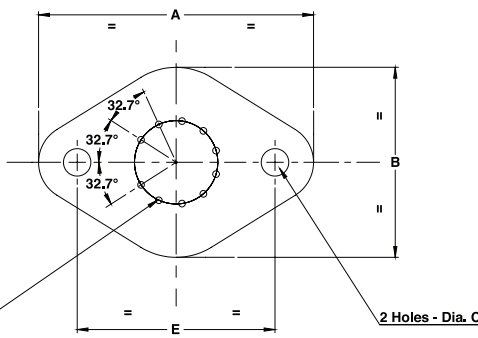
Die-Cut Insulator type	Dimensions (mm)							Ordering part number	
	A	B	C	D	E	F	G		
3 LEAD, T0-3 <p>3 Holes - Dia.C</p> <p>2 Holes - Dia.D</p>	41.91	28.96	3.56	2.36	30.15	10.92	41.91	DC0002/01 - XXX - T	

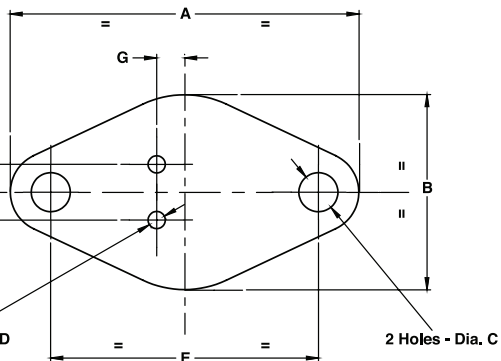
4 LEAD, T0-3 <p>4 Holes - Dia. D Equally spaced as shown on Pitch Circle Dia. F</p> <p>2 Holes Dia. C</p>	39.62	26.67	4.01	2.03	29.72			DC0003/01 - XXX - T	
	39.7	26.67	3.96	1.6	30.15			DC0003/02 - XXX - T	

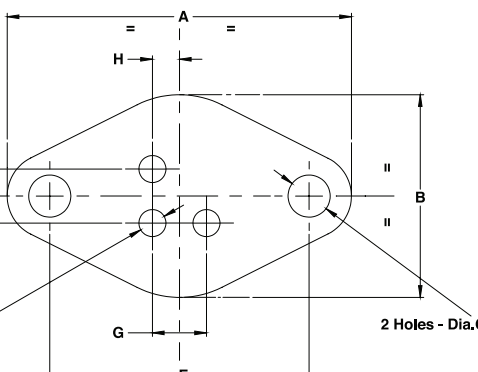
8 LEAD, T0-3 <p>8 Holes - Dia. D Equally spaced on Pitch Circle Dia. F as shown</p> <p>2 Holes - Dia. C</p>	42.04	30.15	3.96	1.52				DC0004/01 - XXX - T	

Part numbers for ordering T-Global Die-Cut Insulators



Die-Cut Insulator type	Dimensions (mm)							Ordering part number
	A	B	C	D	E	F	G	
10 LEAD, T0-3  <p>10 Holes - Dia. D Equally spaced on Pitch Circle Dia. F as shown</p> <p>2 Holes - Dia. C</p>	41.91	28.96	4.19	1.02				DC0005/01 - XXX - T

T0-66  <p>2 Holes - Dia. D</p> <p>2 Holes - Dia. C</p>	31.75	17.78	3.56	1.57				DC0006/01 - XXX - T
	33.32	19.35	3.56	1.57				DC0006/02 - XXX - T
	34.93	20.96	3.56	1.57				DC0006/03 - XXX - T
	36.58	25.4	3.56	1.91				DC0006/04 - XXX - T

3 LEAD, T0-66  <p>3 Holes - Dia. D</p> <p>2 Holes - Dia. C</p>	32.39	19.05	3.96	2.54	24.38			DC0007/01 - XXX - T

Part numbers for ordering T-Global Die-Cut Insulators



Die-Cut Insulator type	Dimensions (mm)							Ordering part number
	A	B	C	D	E	F	G	
4 LEAD, TO-66 <p>4 Holes - Dia. D</p> <p>2 Holes - Dia. C</p>	33.32	19.35	3.56	1.57	24.38	5.08	2.54	DC0008/01 - XXX - T

9 LEAD, TO-66 <p>9 Holes - Dia. D Equally Spaced on Pitch Circle Dia. G as shown</p> <p>2 Holes - Dia. C</p>	36.58	25.4	3.56	1.4	24.38	12.19	8.26	DC0009/01 - XXX - T

MULTI LEAD, TO-66 <p>1 Hole - Dia. D</p> <p>2 Holes - Dia. C</p>	34.29	20.32	3.56	10.16				DC0010/01 - XXX - T

Part numbers for ordering T-Global Die-Cut Insulators

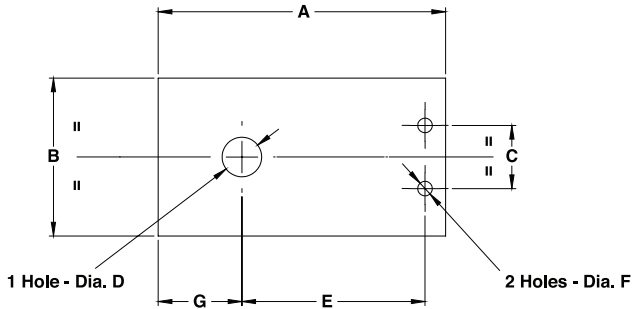


Die-Cut Insulator type	Dimensions (mm)							Ordering part number
	A	B	C	D	E	F	G	
TO-220 	11.1	7.92	3.56	2.36				DC0011/01 - XXX - T
	11.1	7.92	3.56	3.1				DC0011/02 - XXX - T
	12.7	9.78	4.32	3.05				DC0011/03 - XXX - T
	15.49	14.22	6.22	3.18				DC0011/04 - XXX - T
	17.45	14.27	5.54	3.18				DC0011/05 - XXX - T
	18.03	12.7	4.06	3.58				DC0011/06 - XXX - T
	19.05	10.41	5.72	3.96				DC0011/07 - XXX - T
	19.05	12.7						DC0011/08 - XXX - T
	19.05	12.7	4.75	3.73				DC0011/09 - XXX - T
	19.05	12.7	4.75	3.18				DC0011/10 - XXX - T
	19.05	15.24	6.1	3.81				DC0011/11 - XXX - T
	19.05	15.24	6.1	2.92				DC0011/12 - XXX - T
	21.72	14.27	5.54	3.18				DC0011/13 - XXX - T
	21.72	16	5.84	2.36				DC0011/14 - XXX - T
	21.84	18.8	5.08	4.06				DC0011/15 - XXX - T
	28.58	15.88	5.08	3.68				DC0011/16 - XXX - T
	35.81	20.57	9.02	3.73				DC0011/18 - XXX - T
	22.00	16.51	5.51	3.61				DC0011/19 - XXX - T
	19.05	20.32	3.81	4.06				DC0011/20 - XXX - T
	25.40	19.05	7.62	3.56				DC0011/21 - XXX - T
	20.57	23.11	4.32	3.73				DC0011/22 - XXX - T
	24.99	19.99						DC0011/23 - XXX - T
	21.01	24.00	5	3.81				DC0011/24 - XXX - T
	21.72	16.00	5.79	3.1				DC0011/25 - XXX - T
	21.01	18.01	6.5	3.2				DC0011/26 - XXX - T
	19.00	14.00	5.51	3.2				DC0011/27 - XXX - T
	11.10	7.90	3.61	2.79				DC0011/28 - XXX - T
	28.96	20.57	9.02	3.73				DC0011/29 - XXX - T
	24	19	6.5	4.11				DC0011/30 - XXX - T
	24.99	42.01	8	3.99				DC0011/31 - XXX - T
	18.01	13	4.5	3.1				DC0011/32 - XXX - T
	11.99	8	3.99	3.2				DC0011/33 - XXX - T
	22	18.01	6.5	3.2				DC0011/34 - XXX - T
	24	18.01	5.79	3.2				DC0011/35 - XXX - T
	31.75	25.4						DC0011/36 - XXX - T
	31.75	25.4	6.55	3.23				DC0011/37 - XXX - T

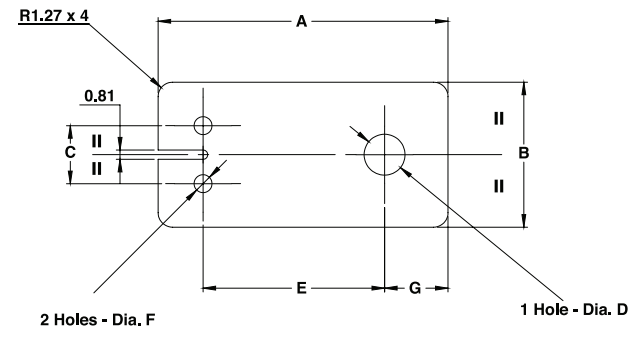
Part numbers for ordering T-Global Die-Cut Insulators



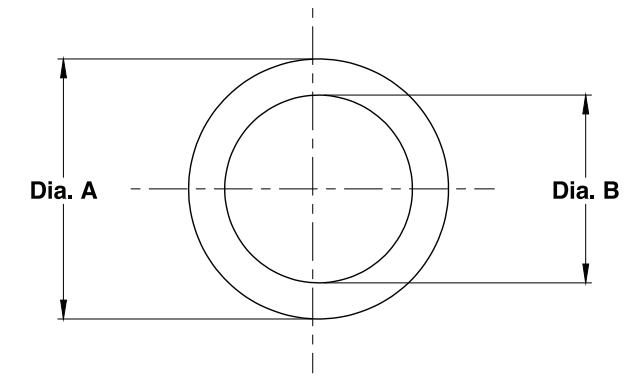
Die-Cut Insulator type	Dimensions (mm)							Ordering part number
	A	B	C	D	E	F	G	
T0-220	23.11	12.7	5.08	3.18	14.73	1.17	6.73	DC0012/01 - XXX - T
	24.97	19.05	10.97	3.96	16.89	2.57	5.51	DC0012/02 - XXX - T



TYPE II, T0-220	25.4	12.7	5.08	3.58	15.9			DC0013/01 - XXX - T

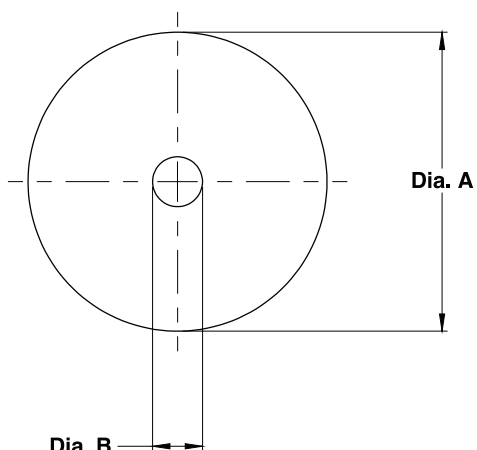


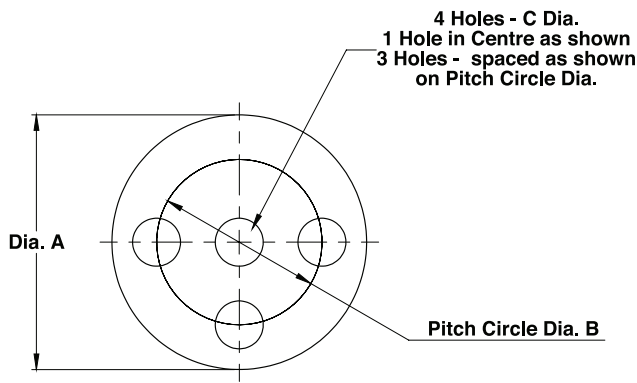
DIODE WASHERS - D0-4	9.14	6.6						DC0014/01 - XXX - T
	12.95	3.56						DC0014/02 - XXX - T
	12.95	5.08						DC0014/03 - XXX - T
	13	4.09						DC0014/04 - XXX - T
	15.88	4.95						DC0014/05 - XXX - T

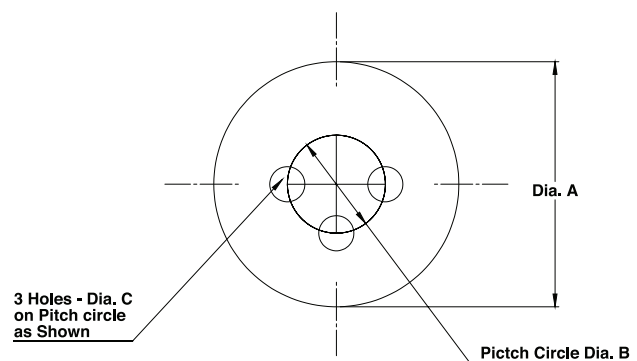


Part numbers for ordering T-Global Die-Cut Insulators



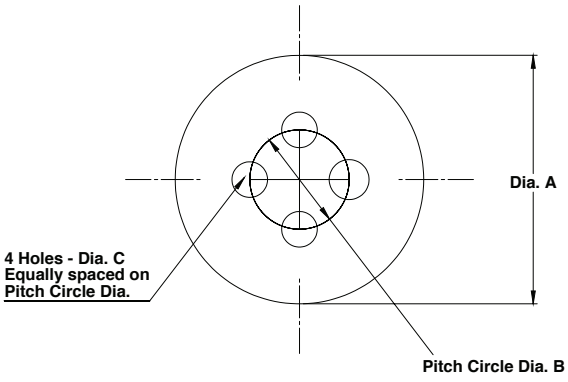
Die-Cut Insulator type	Dimensions (mm)							Ordering part number
	A	B	C	D	E	F	G	
DIODE WASHERS - DO-5 	19.05	3.18						DC0015/01 - XXX - T
	20.32	4.83						DC0015/02 - XXX - T
	20.32	6.6						DC0015/03 - XXX - T
	20.62	2.92						DC0015/04 - XXX - T
	20.62	3.68						DC0015/05 - XXX - T
	22.23	7.95						DC0015/06 - XXX - T
	25.4	3.56						DC0015/07 - XXX - T
	25.4	6.48						DC0015/08 - XXX - T
	29.97	13.08						DC0015/09 - XXX - T
	31.75	9.65						DC0015/10 - XXX - T
	38.1	5.08						DC0015/11 - XXX - T
	38.1	12.7						DC0015/12 - XXX - T

T0-36 	27	17.53	5.08					DC0016/01 - XXX - T	

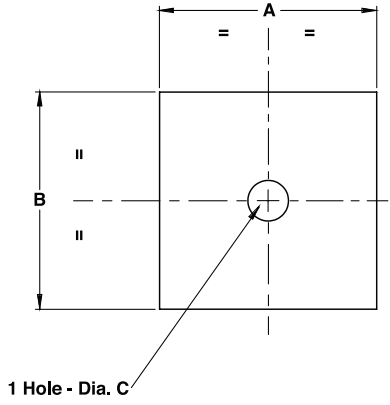
T0-5 and T0-18 - 3 HOLES 	6.35	2.54	0.91					DC0017/01 - XXX - T	
	9.14	5.08	1.02					DC0017/02 - XXX - T	
	9.91	5.08	1.02					DC0017/03 - XXX - T	

Part numbers for ordering T-Global Die-Cut Insulators

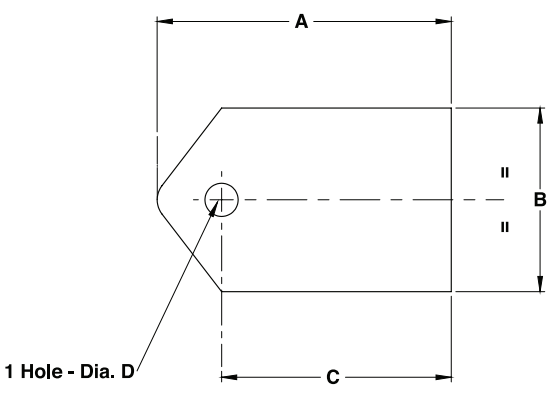
Die-Cut Insulator type	Dimensions (mm)							Ordering part number
	A	B	C	D	E	F	G	
TO-5 and TO-18 - 4 HOLES	0.250	0.100	0.036					DC0018/01 - XXX - T
	0.360	0.200	0.040					DC0018/02 - XXX - T
	0.390	0.200	0.040					DC0018/03 - XXX - T



RECTIFIER	25.4	25.4	4.75					DC0019/01 - XXX - T
	28.58	28.58	3.56					DC0019/02 - XXX - T
	31.75	31.75	5.08					DC0019/03 - XXX - T



TIP PACKAGE	21.97	16.51	16.51	3.56				DC0020/01 - XXX - T
	24.99	19.99	17.98	3.61				DC0020/02 - XXX - T
	24.99	19.99						DC0020/03 - XXX - T
	32	19.99	24.99	3.61				DC0020/04 - XXX - T



Part numbers for ordering T-Global Die-Cut Insulators



Die-Cut Insulator type	Dimensions (mm)							Ordering part number
	A	B	C	D	E	F	G	
POWER MODULE 	104.1	73.7						DC0021/01 - XXX - T

POWER MODULE 	57.2	44.5		47.8		2.55		DC0022/01 - XXX - T
	38.1	22.86	3.81	30.48	11.43	1.9		DC0022/02 - XXX - T
	63.5	50.8	8.74	46.02	25.4	3.96		DC0022/03 - XXX - T

POWER MODULE 	12.83	20.32						DC0023/01 - XXX - T

Part numbers for ordering T-Global Die-Cut Insulators



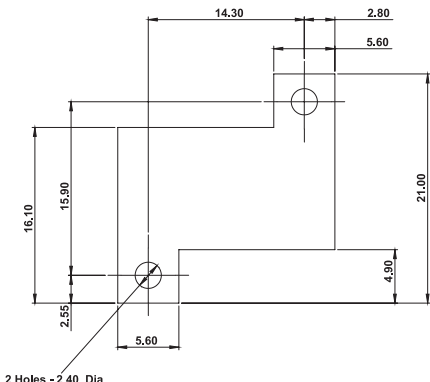
Die-Cut Insulator type	Dimensions (mm)							Ordering part number
	A	B	C	D	E	F	G	
T03 6 HOLE 	39.37	26.67						DC0024/01 - XXX - T

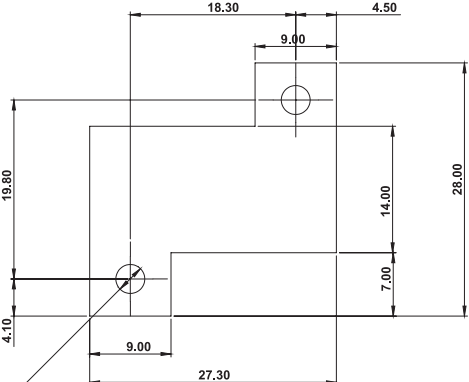
SIP PACKAGE 	36.83	21.29	15.54	6.22	24.38	4.32	3.05	DC0025/01 - XXX - T

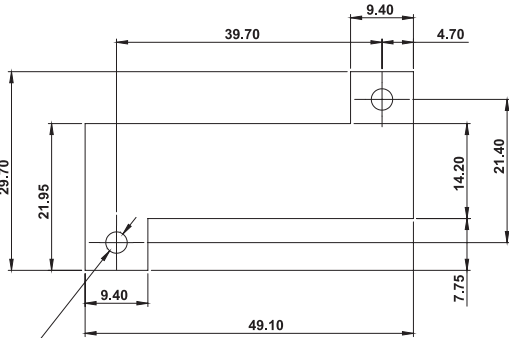
ARCOL - HS10 	-	-	-	-	-	-	-	DC0026/01 - XXX - T

Part numbers for ordering T-Global Die-Cut Insulators



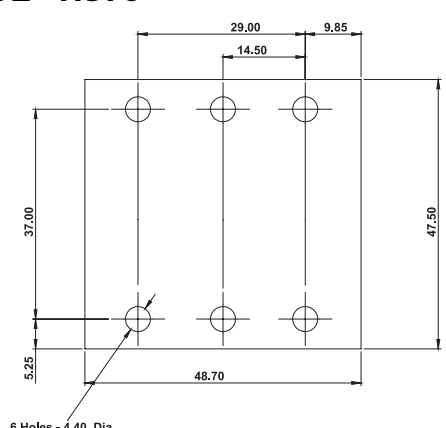
Die-Cut Insulator type	Dimensions (mm)							Ordering part number
	A	B	C	D	E	F	G	
ARCOL - HS15 	-	-	-	-	-	-	-	DC0027/01 - XXX - T

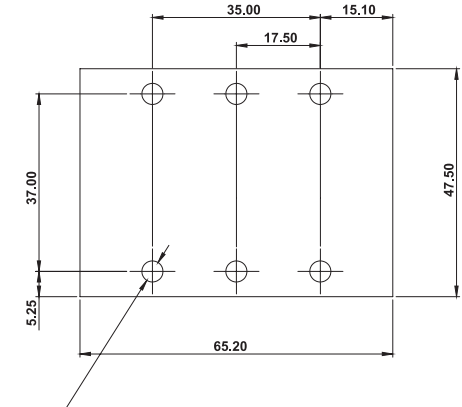
ARCOL - HS25 	-	-	-	-	-	-	-	DC0028/01 - XXX - T

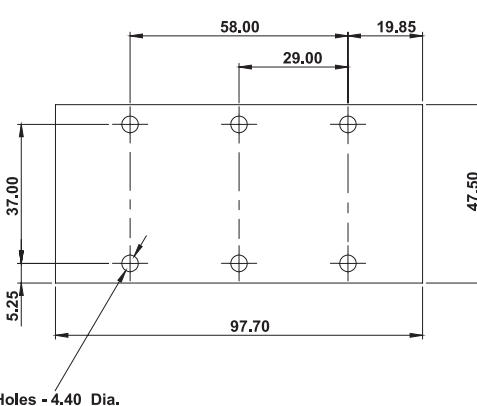
ARCOL - HS50 	-	-	-	-	-	-	-	DC0029/01 - XXX - T

Part numbers for ordering T-Global Die-Cut Insulators



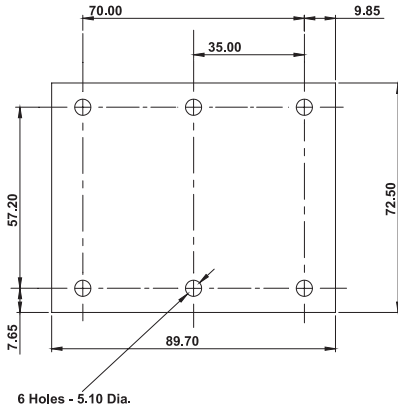
Die-Cut Insulator type	Dimensions (mm)							Ordering part number
	A	B	C	D	E	F	G	
ARCOL - HS75 	-	-	-	-	-	-	-	DC0030/01 - XXX - T

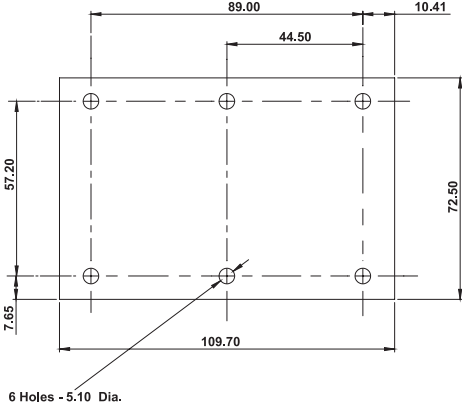
ARCOL - HS100 	-	-	-	-	-	-	-	DC0031/01 - XXX - T

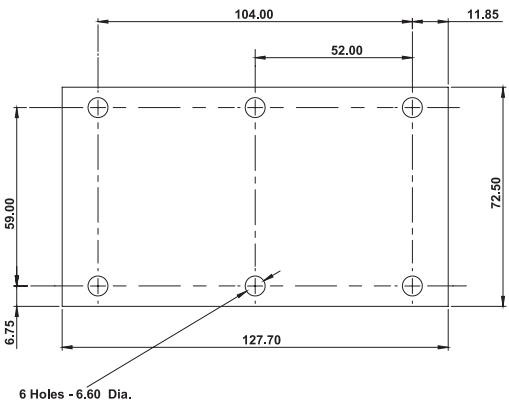
ARCOL - HS150 	-	-	-	-	-	-	-	DC0032/01 - XXX - T

Part numbers for ordering T-Global Die-Cut Insulators



Die-Cut Insulator type	Dimensions (mm)							Ordering part number
	A	B	C	D	E	F	G	
ARCOL - HS200 	-	-	-	-	-	-	-	DC0033/01 - XXX - T

ARCOL - HS250 	-	-	-	-	-	-	-	DC0034/01 - XXX - T

ARCOL - HS300 	-	-	-	-	-	-	-	DC0035/01 - XXX - T